

Hadrian's Wall: Coast-to-Coast Cycle Ride

School Design Contest

Your Design Could Lead the Ride!

QTS and Fortivum are coming together for a coast-to-coast charity ride along Hadrian's Wall to support The Sir Bobby Robson Institute and The Great North Children's Hospital. To make it even more special, **we're inviting you to get creative and design the cycling jerseys and shorts the riders will wear!**

Ready!

Set!

Create!

The winning design will be worn by all riders in the charity cycle. The winner will start the ride, **meet the cyclists at the finish and receive £100 in vouchers for an evening out with their family and £500 worth of art supplies for your school!** The top 30 designs will also be made into a collage and displayed at our site and in the first data centre building when it is completed!

Rules

Use the template to create your cycling jersey and shorts design and **make sure your name, school and class are clearly written on your entry.**

1. The competition is open to participants aged 8 to 15.
2. Only one entry per person – this is your time to shine!
3. You must use the templates provided by QTS and Fortivum to display your design.
4. Please try to stay within the lines of the jersey and shorts on the template.
5. You can print out at A4 or A3 size paper.
6. Please **submit your design by 5 p.m. on the 13th May 2026.**
7. Participation requires parent or guardian consent.
8. See Official Rules for more details.
9. Have fun!

Submit designs via email to **Elena-Rodica Busuioc** at: elena-rodica.busuioc@Q.com

Participants can design by hand via printed paper or electronically.

Printed copies can be photographed and emailed to the address above.

Submissions are due **13th May 2026.**





QTS Cycling Kit Design Contest

Official Rules & Parental Consent

Sponsor: QTS Data Centers (“QTS”)

1. Eligibility and Prizes

The contest is open to students invited by participating schools. Entries must be submitted with the consent of a parent or legal guardian. Students may submit an original design for a QTS cycling jersey and/or shorts, created by hand or digitally, in accordance with the contest materials. Each student may submit one entry unless otherwise stated. QTS is not responsible for lost, late, damaged, or incomplete entries. Participation is voluntary and at the participant’s own risk. Any prizes will be awarded as described in the contest materials. No additional compensation, royalties, or payments will be owed beyond the stated prize.

2. Ownership, Use of Designs and Attribution

By submitting an entry, you agree that all right, title, and interest in the submitted design, including all worldwide intellectual property rights, are irrevocably assigned and transferred to QTS and become the exclusive property of QTS upon submission. You further represent that the design is original, does not infringe any third-party rights, and has not been copied from another source. QTS may use, reproduce, modify, adapt, publish, display, and distribute the design, in whole or in part, in any format and for any purpose (including manufacturing cycling kits, internal use, and external marketing) without further approval or compensation. To the extent permitted by law, you waive any moral rights or similar rights in the design. QTS may, but is not required to, credit the student designer by first name, age, and/or school in connection with use of the design.

3. Use of Personal Information and Data Protection

QTS will collect and may use the participant’s name, age, school, and submitted design to administer the contest and in connection with the charity ride and related attribution, promotional, and publicity materials, without additional compensation. By signing this form, the parent or legal guardian consents to this use. This consent may be withdrawn at any time by contacting QTS, although QTS is not required to recall materials already published.

QTS will hold personal data securely and in accordance with applicable data protection laws. If you have any questions about how personal data is used, or wish to request access to, correction of, or deletion of personal data, please contact QTS.

4. Governing Law

These Official Rules are governed by and construed in accordance with the laws of England and Wales.

By signing below, the parent or legal guardian: (a) confirms they have the authority to consent on the student’s behalf; (b) consents to the student’s participation in the contest; (c) agrees to these Official Rules on behalf of the student; (d) grants QTS the rights described above; and (e) confirms that the information provided is accurate.

Student Name: _____

Parent/Legal Guardian: _____

School: _____

Signature: _____

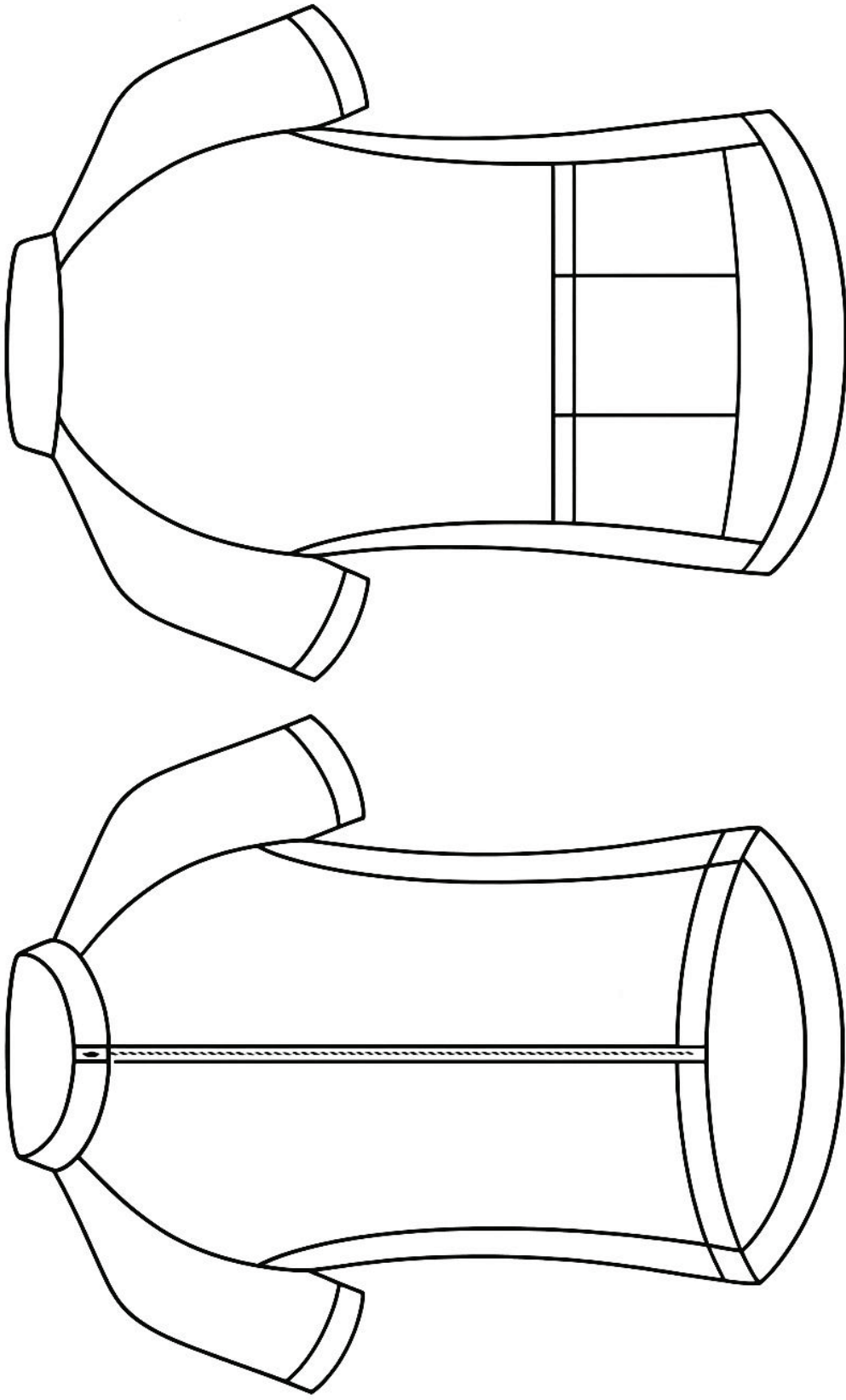
Age: _____

Date: _____

Name:

Age:

School:



Name: _____

Age: _____

School: _____

