

# Hadrian's Wall: Coast-to-Coast Cycle Ride

## School Design Contest

# Your Design Could Lead the Ride!

QTS and Fortivum are coming together for a coast-to-coast charity ride along Hadrian's Wall to support The Sir Bobby Robson Institute and The Great North Children's Hospital. To make it even more special, **we're inviting you to get creative and design the cycling jerseys and shorts the riders will wear!**

Ready!

Set!

Create!

The winning design will be worn by all riders in the charity cycle. The winner will start the ride, **meet the cyclists at the finish and receive £100 in vouchers for an evening out with their family and £500 worth of art supplies for your school!** The top 30 designs will also be made into a collage and displayed at our site and in the first data centre building when it is completed!

## Rules

Use the template to create your cycling jersey and shorts design and **make sure your name, school and class are clearly written on your entry.**

1. The competition is open to participants aged 8 to 15.
2. Only one entry per person – this is your time to shine!
3. You must use the templates provided by QTS and Fortivum to display your design.
4. Please try to stay within the lines of the jersey and shorts on the template.
5. You can print out at A4 or A3 size paper.
6. Please **submit your design by 5 p.m. on the 13<sup>th</sup> May 2026.**
7. Have fun!

Submit designs via email to **Elena-Rodica Busuioc** at: [elena-rodica.busuioc@Q.com](mailto:elena-rodica.busuioc@Q.com)

Participants can design by hand via printed paper or electronically.

Printed copies can be photographed and emailed to the address above.

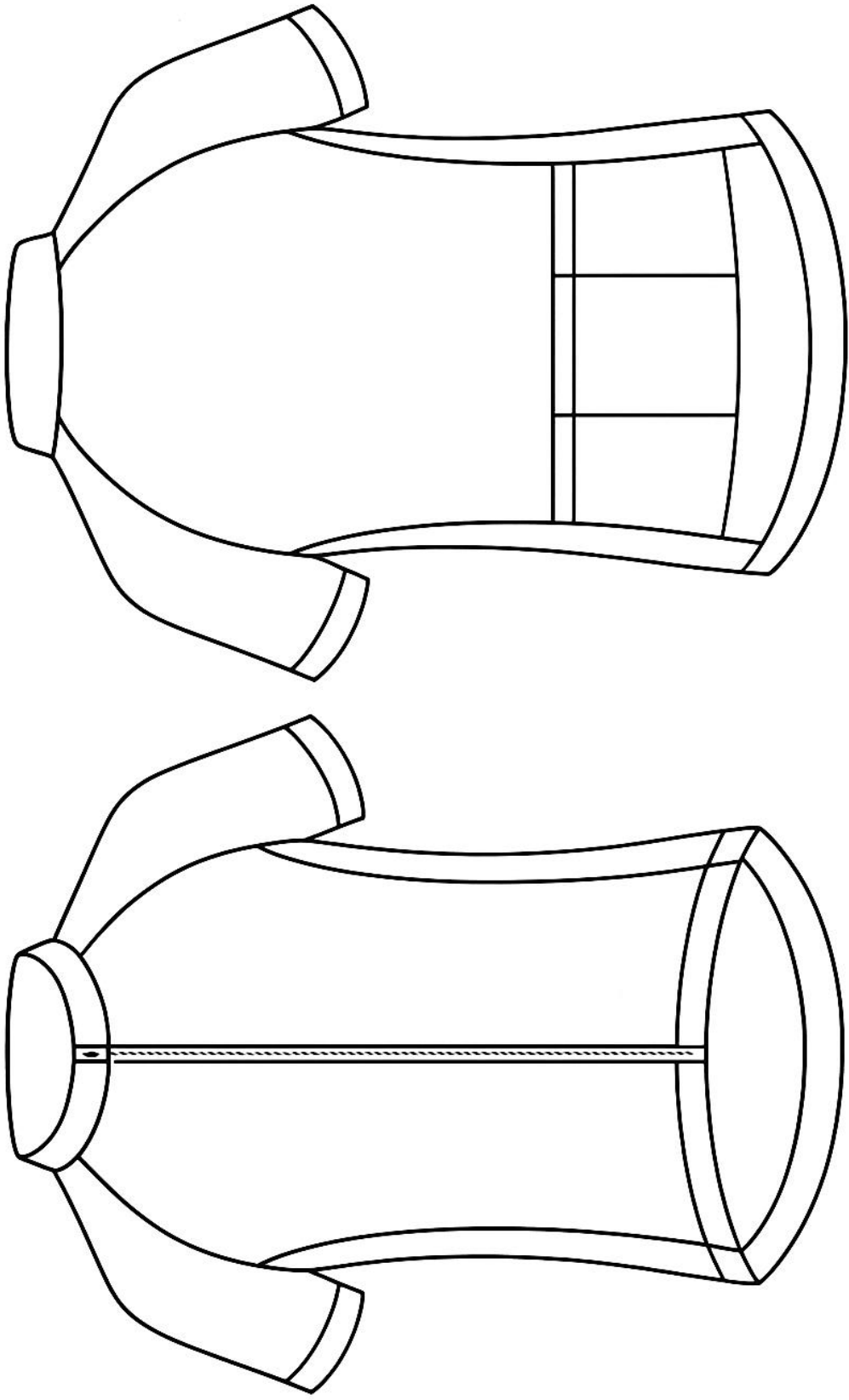
Submissions are due **13<sup>th</sup> May 2026.**



Name:

Age:

School:



Name:

Age:

School:

